

1
PRODUCT FAMILY
DT SERIES DEVICES

2
DRAWING ID/MODEL
ALTUM CABLE AC01

3 4 5 6 7 8
AC01 REV1 – DT01 PROGRAMMING CABLE – 19 PIN MINI HDMI TO 10 PIN FEMALE CONNECTOR CABLE



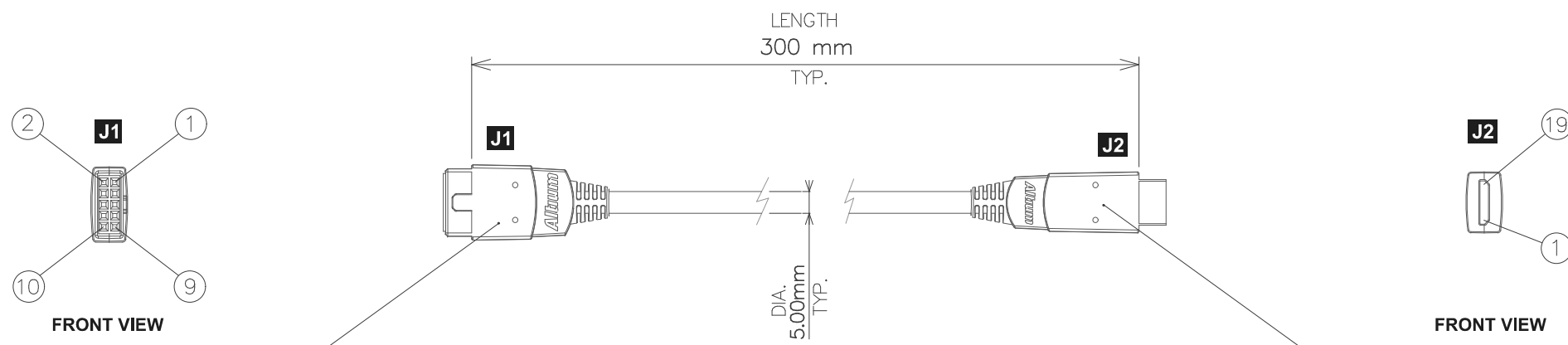
10 PIN

MOULDED BOOT

COMMS CABLE

MOULDED BOOT

19 PIN



J1

10 PIN 2.54MM PITCH FEMALE MACHINE OR FORMED PIN CONNECTOR AND OVER MOULDED BOOT WITH TAB
REF: DRAWING CN01

CABLE AND TERMINATION SPECIFICATION:

CABLE TYPE:	SIGNAL MULTISTRAND
CABLE SIZE:	24AWG TO 28AWG
MATERIAL:	POLYVINY CHLORIDE (PVC)
SAFETY:	VW-1 COMPLIANT
COMPLIANCE:	IPC-A-620 CLASS 2

J2

19 PIN MINI HDMI TYPE C CONNECTOR WITH OVERMOULDED BOOT
REF: DRAWING CN02



JACKET AND BOOT SPECIFICATION:

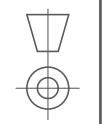
MATERIAL:	PVC OVERMOULD
COLOUR:	BLACK
FINISH:	MATT
COMPLIANCE:	IPC-A-620 CLASS 2

TOLERANCES (UNLESS SPECIFIED):

DIAMETER:	<= 5.0MM:	+/- 0.10MM
	=> 5.0MM	+/- 0.20MM
ANGULAR:		+/- 0.25°
UNSPECIFIED DRAFT:		1.0°/SIDE
LENGTH:	0MM TO 25MM	+/- 0.10MM
	25MM TO 50MM	+/- 0.15MM
	50MM TO 100MM	+/- 0.20MM
	100MM AND OVER	+/- 0.25MM

CN	PIN NUMBER	FUNCTION	COLOUR	FUNCTION	PIN NUMBER	CN
J1	1	HTDI	RED	HTDI	9	J2
J1	2	HTDO	BROWN	HTDO	8	J2
J1	3	HTCK	BLUE	HTCK	6	J2
J1	4	HTMS	PURPLE	HTMS	5	J2
J1	5	STDI	YELLOW	STDI	3	J2
J1	6	STDO	GREEN	STDO	2	J2
J1	7	STCK	WHITE	STCK	12	J2
J1	8	STMS	GREY	STMS	11	J2
J1	9	GND	BLACK	GND	1	J2
J1		GND	BLACK	GND	4	J2
J1		GND	BLACK	GND	7	J2
J1		GND	BLACK	GND	10	J2
J1	10	DETECT	ORANGE	DETECT	NC	J2
J1	SHEILD	SHEILD	BRAID	SHEILD	SHEILD	J2

DO NOT SCALE
DIMENSIONS IN MILLIMETRES

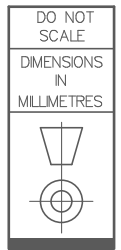


DESIGNER	ALTUM LIMITED	DATE	01.MAY.08	LEVEL 3 / 12A RODBOROUGH ROAD FRENCHS FOREST - SYDNEY 2086 NSW AUSTRALIA	SCALE:	SCALE: 0.70
DRAWN	Steven. R. Howell	DATE	01.MAY.08		DATE:	9/14/2011
CHECKED	Steven. R. Howell	DATE	01.MAY.08		SHEET	1 of 1
REVISION	01 DESIGN CREATED – 19 Pin Mini HDMI to 10 Pin Female Connector Cable		S.HOWELL	01.MAY.08	GROUP/DA	HARDWARE DEVELOPMENT GROUP
REVISION	DESCRIPTION OF TASK OR MODIFICATION		APPD	DATE	Title: AC01.01 – ALTUM CABLE 01 REV 01	
TEMPLATE: – Multilayer Composite Print		C:\Documents and Settings\Administrator\Desktop\printproject\AC01.01.PcbDoc				

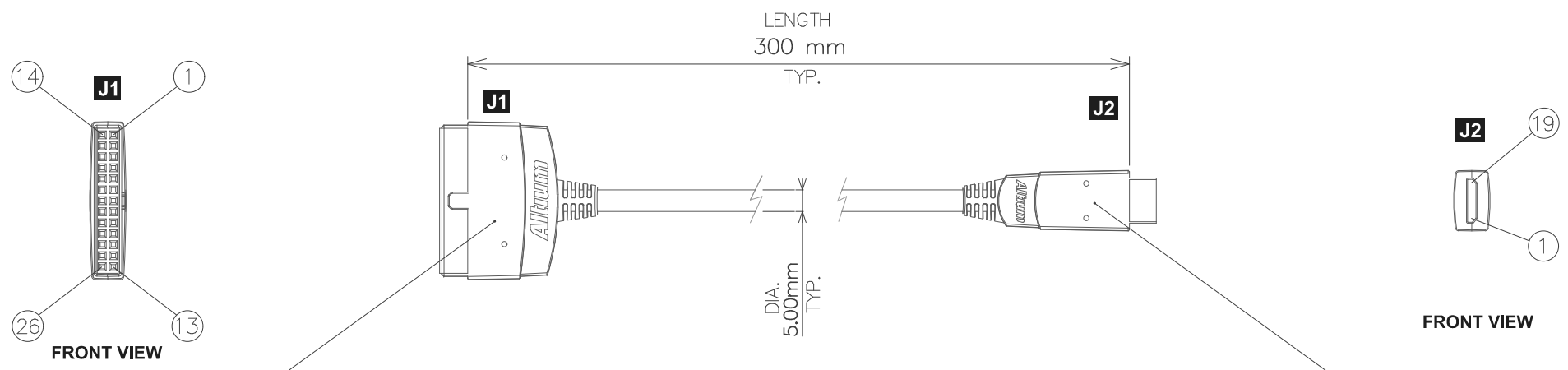
1
PRODUCT FAMILY
DT SERIES DEVICES

2
DRAWING ID/MODEL
ALTUM CABLE AC02

3 4 5 6 7 8
AC02 REV1 – DT01 PROGRAMMING CABLE – 19 PIN MINI HDMI TO 26 PIN FEMALE CONNECTOR CABLE



26 PIN MOULDED BOOT COMMS CABLE MOULDED BOOT 19 PIN



J1 26 PIN 2.54MM PITCH FEMALE MACHINE OR FORMED PIN CONNECTOR AND OVER MOULDED BOOT WITH TAB
REF: DRAWING CN03

CABLE AND TERMINATION SPECIFICATION:
CABLE TYPE: SIGNAL MULTISTRAND
CABLE SIZE: 24AWG TO 28AWG
MATERIAL: POLYVINY CHLORIDE (PVC)
SAFETY: VW-1 COMPLIANT
COMPLIANCE: IPC-A-620 CLASS 2

J2 19 PIN MINI HDMI TYPE C CONNECTOR WITH OVERMOULDED BOOT
REF: DRAWING CN02



JACKET AND BOOT SPECIFICATION:
MATERIAL: PVC OVERMOULDED
COLOUR: BLACK
FINISH: MATT
COMPLIANCE: IPC-A-620 CLASS 2

TOLERANCES (UNLESS SPECIFIED):
DIAMETER: <= 5.0MM: +/- 0.10MM
 => 5.0MM: +/- 0.20MM
ANGULAR: +/- 0.25°
UNSPECIFIED DRAFT: 1.0°/SIDE
LENGTH: 0MM TO 25MM: +/- 0.10MM
 25MM TO 50MM: +/- 0.15MM
 50MM TO 100MM: +/- 0.20MM
 100MM AND OVER: +/- 0.25MM

CN	PIN NUMBER	FUNCTION	COLOUR	FUNCTION	PIN NUMBER	CN
J1	2	HTDI	RED	HTDI	9	J2
J1	13	HTDO	BROWN	HTDO	8	J2
J1	3	HTCK	BLUE	HTCK	6	J2
J1	4	HTMS	PURPLE	HTMS	5	J2
J1	5	STDI	YELLOW	STDI	3	J2
J1	-	NOT USED	GREEN	STDO	2	J2
J1	-	NOT USED	WHITE	STCK	12	J2
J1	6	STMS	GREY	STMS	11	J2
J1	25	GND	BLACK	GND	1	J2
J1	24	GND	BLACK	GND	4	J2
J1	23	GND	BLACK	GND	7	J2
J1	22	GND	BLACK	GND	10	J2
J1	21	GND	BLACK	GND	13	J2
J1	SHELD	SHEILD	BRAID	SHEILD	SHEILD	J2
26 PIN FEMALE			19 PIN MINI HDMI			

DESIGNER	ALTUM LIMITED	DATE	01.MAY.08	LEVEL 3 / 12A RODBOROUGH ROAD FRENCHS FOREST – SYDNEY 2086 NSW AUSTRALIA	SCALE:	SCALE: 0.70
DRAWN	Steven. R. Howell	DATE	01.MAY.08		DATE:	9/14/2011
CHECKED	Steven. R. Howell	DATE	01.MAY.08		SHEET	1 of 1
REVISION	01	DESCRIPTION OF TASK OR MODIFICATION	DESIGN CREATED – 19 Pin Mini HDMI to 26 Pin Female Connector Cable	GROUP/DA	HARDWARE DEVELOPMENT GROUP	A2
TEMPLATE:	Multilayer Composite Print C:\Documents and Settings\Administrator\Desktop\printproject\AC02.01.PcbDoc					



1
PRODUCT FAMILY
DT SERIES DEVICES

2
DRAWING ID/MODEL
ALTUM CABLE AC04

AC04 REV1 – DT01 PROGRAMMING CABLE – MACHINED PINNED RECEPTICAL TO 2.5MM STEREO PLUG



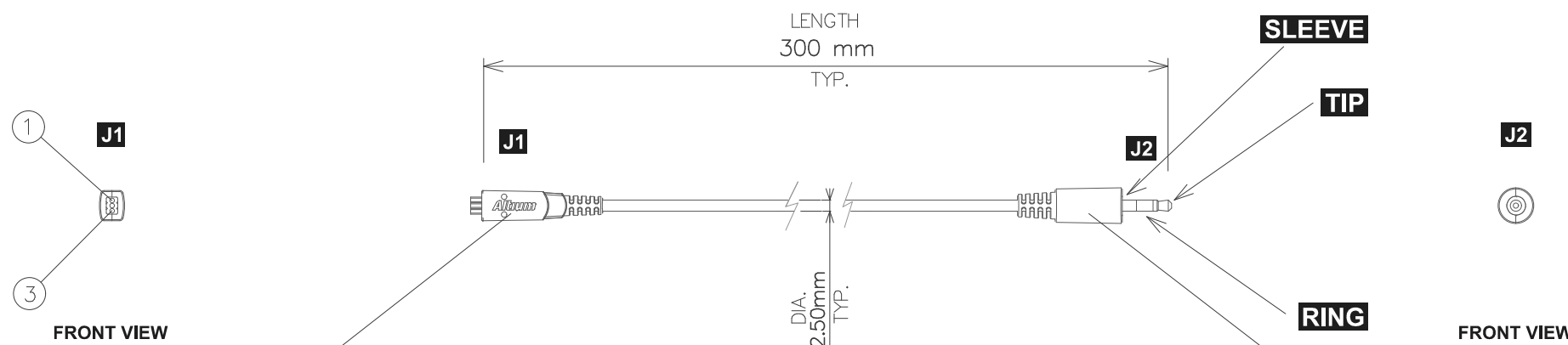
3x MACHINE PIN

MOULDED BOOT

COMMS CABLE

MOULDED BOOT

2.5MM PLUG



J1

3 PIN 1.27MM PITCH FEMALE MACHINE PINNED ONLY CONNECTOR WITH OVER MOULDED BOOT
REF: DRAWING CN04

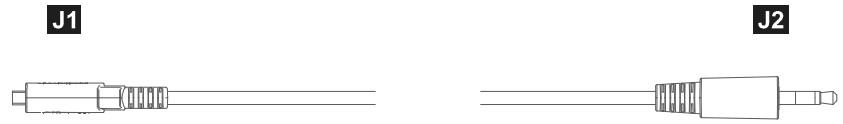
CABLE AND TERMINATION SPECIFICATION:

CABLE TYPE:	SIGNAL MULTISTRAND
CABLE SIZE:	24AWG TO 28AWG
MATERIAL:	POLYVINY CHLORIDE (PVC)
SAFETY:	VW-1 COMPLIANT
COMPLIANCE:	IPC-A-620 CLASS 2

J2

2.5MM STEREO PLUG CONNECTOR WITH OVERMOULDED BOOT
REF: DRAWING CN05

TO 1 WIRE DEVICE →



← TO DT01

JACKET AND BOOT SPECIFICATION:

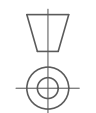
MATERIAL:	PVC OVERMOULD
COLOUR:	BLACK
FINISH:	MATT
COMPLIANCE:	IPC-A-620 CLASS 2

TOLERANCES (UNLESS SPECIFIED):

DIAMETER:	<= 5.0MM:	+/- 0.10MM
	=> 5.0MM	+/- 0.20MM
ANGULAR:		+/-0.25°
UNSPECIFIED DRAFT:		1.0°/SIDE
LENGTH:	0MM TO 25MM	+/- 0.10MM
	25MM TO 50MM	+/- 0.15MM
	50MM TO 100MM	+/- 0.20MM
	100MM AND OVER	+/- 0.25MM

CN	PIN NUMBER	FUNCTION	COLOUR	FUNCTION	PIN NUMBER	CN
J1	1	GND	BLACK	GND	SLEEVE	J2
J1	2	DATA	WHITE	DATA	RING	J2
J1	3	GND	BLACK	GND	SLEEVE	J2
J1	SHIELD	SHIELD	BRAID	SHIELD	SLEEVE	J2

DO NOT SCALE
DIMENSIONS IN MILLIMETRES



DESIGNER	ALTUM LIMITED	DATE	01.MAY.08	LEVEL 3 / 12A RODBOROUGH ROAD FRENCHS FOREST - SYDNEY 2086 NSW AUSTRALIA	SCALE:	SCALE: 0.70
DRAWN	Steven. R. Howell	DATE	01.MAY.08		DATE:	9/14/2011
CHECKED	Steven. R. Howell	DATE	01.MAY.08		SHEET	1 of 1
REVISION	01	DESCRIPTION OF TASK OR MODIFICATION	DESIGN CREATED – MACHINED PINNED RECEPTICAL TO 2.5MM STEREO PLUG CABLE	GROUP/DA	HARDWARE DEVELOPMENT GROUP	A2
TEMPLATE:	Multilayer Composite Print C:\Documents and Settings\Administrator\Desktop\printproject\AC04.01.PcbDoc					

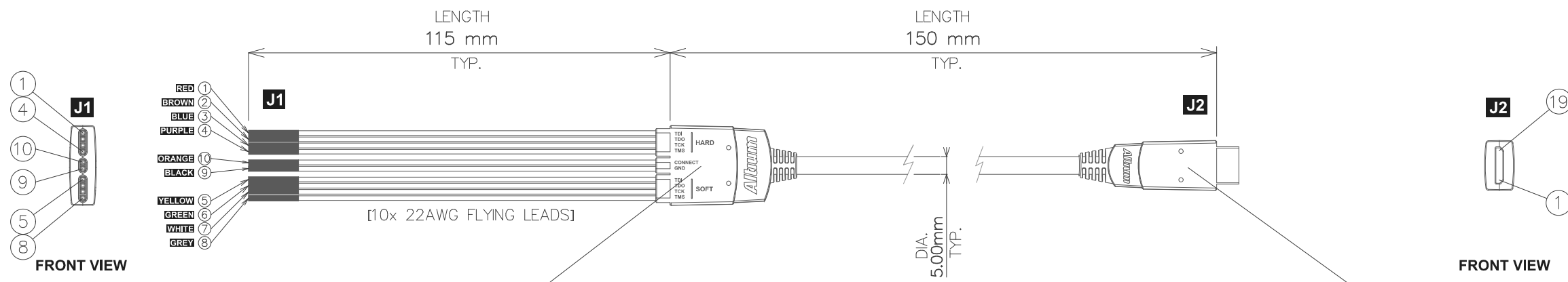
1
PRODUCT FAMILY
DT SERIES DEVICES

2
DRAWING ID/MODEL
ALTUM CABLE AC05

3 4 5 6 7 8
AC05 REV1 – DT01 PROGRAMMING CABLE – 19 PIN MINI HDMI TO 10 PIN FLYING LEADS BREAKOUT CABLE



10 PIN MOULDED BOOT COMMS CABLE MOULDED BOOT 19 PIN



J1 10 PIN FLYING LEAD 22AWG WITH INDIVIDUALLY COLOURED TERMINATED WIRE AND OVER MOULDED BOOT
REF: DRAWING CN06

CABLE AND TERMINATION SPECIFICATION:
CABLE TYPE: SIGNAL MULTISTRAND
CABLE SIZE: 24AWG TO 28AWG
MATERIAL: POLYVINY CHLORIDE (PVC)
SAFETY: VW-1 COMPLIANT
COMPLIANCE: IPC-A-620 CLASS 2

J2 19 PIN MINI HDMI TYPE C CONNECTOR WITH OVERMOULDED BOOT
REF: DRAWING CN02



CABLE AND TERMINATION SPECIFICATION:
CABLE TYPE: SINGLE SIGNAL MULTISTRAND
CABLE SIZE: 22AWG
MATERIAL: POLYVINY CHLORIDE (PVC)
SAFETY: VW-1 COMPLIANT
COMPLIANCE: IPC-A-620 CLASS 2

JACKET AND BOOT SPECIFICATION:
MATERIAL: PVC OVERMOULDED
COLOUR: BLACK
FINISH: MATT
COMPLIANCE: IPC-A-620 CLASS 2

TOLERANCES (UNLESS SPECIFIED):
DIAMETER: <= 5.0MM: +/- 0.10MM
 => 5.0MM: +/- 0.20MM
ANGULAR: +/- 0.25°
UNSPECIFIED DRAFT: 1.0°/SIDE
LENGTH: 0MM TO 25MM: +/- 0.10MM
 25MM TO 50MM: +/- 0.15MM
 50MM TO 100MM: +/- 0.20MM
 100MM AND OVER: +/- 0.25MM

CN	PIN NUMBER	FUNCTION	COLOUR	FUNCTION	PIN NUMBER	CN
J1	1	HTDI	RED	HTDI	9	J2
J1	2	HTDO	BROWN	HTDO	8	J2
J1	3	HTCK	BLUE	HTCK	6	J2
J1	4	HTMS	PURPLE	HTMS	5	J2
J1	5	STDI	YELLOW	STDI	3	J2
J1	6	STDO	GREEN	STDO	2	J2
J1	7	STCK	WHITE	STCK	12	J2
J1	8	STMS	GREY	STMS	11	J2
J1	9	GND	BLACK	GND	1	J2
J1	10	DETECT	ORANGE	DETECT	NC	J2
J1	SHIELD	SHIELD	BRAID	SHIELD	SHIELD	J2



DESIGNER	ALTUM LIMITED	DATE	01.MAY.08	LEVEL 3 / 12A RODBOROUGH ROAD FRENCHS FOREST – SYDNEY 2086 NSW AUSTRALIA	SCALE:	SCALE: 0.70	
DRAWN	Steven. R. Howell	DATE	01.MAY.08		DATE:	9/14/2011	
CHECKED	Steven. R. Howell	DATE	01.MAY.08		SHEET	1 of 1	
REVISION	01 DESIGN CREATED – 19 PIN Mini HDMI TO 10 PIN FLYING LEADS CABLE	S.HOWELL	01.MAY.08	GROUP/DA	HARDWARE DEVELOPMENT GROUP	A2	
REVISION	DESCRIPTION OF TASK OR MODIFICATION	APPD	DATE	Title: AC05.01 – ALTUM CABLE 05 REV 01			
TEMPLATE: – Multilayer Composite Print		C:\Documents and Settings\Administrator\Desktop\printproject\AC05.01.PcbDoc					

1
PRODUCT FAMILY
AC SERIES CABLES

2
DRAWING ID/MODEL
CONNECTOR CN01

3 4 5 6 7 8
CN01 REV1 – 10 PIN FEMALE CONNECTOR WITH OVER MOULDED POLARISED BOOT AND MULTISTRAND CABLE



CONNECTOR

MOULDED BOOT

CABLE

CONNECTOR - 2x5

MACHINED PIN OR FORMED PIN

J1

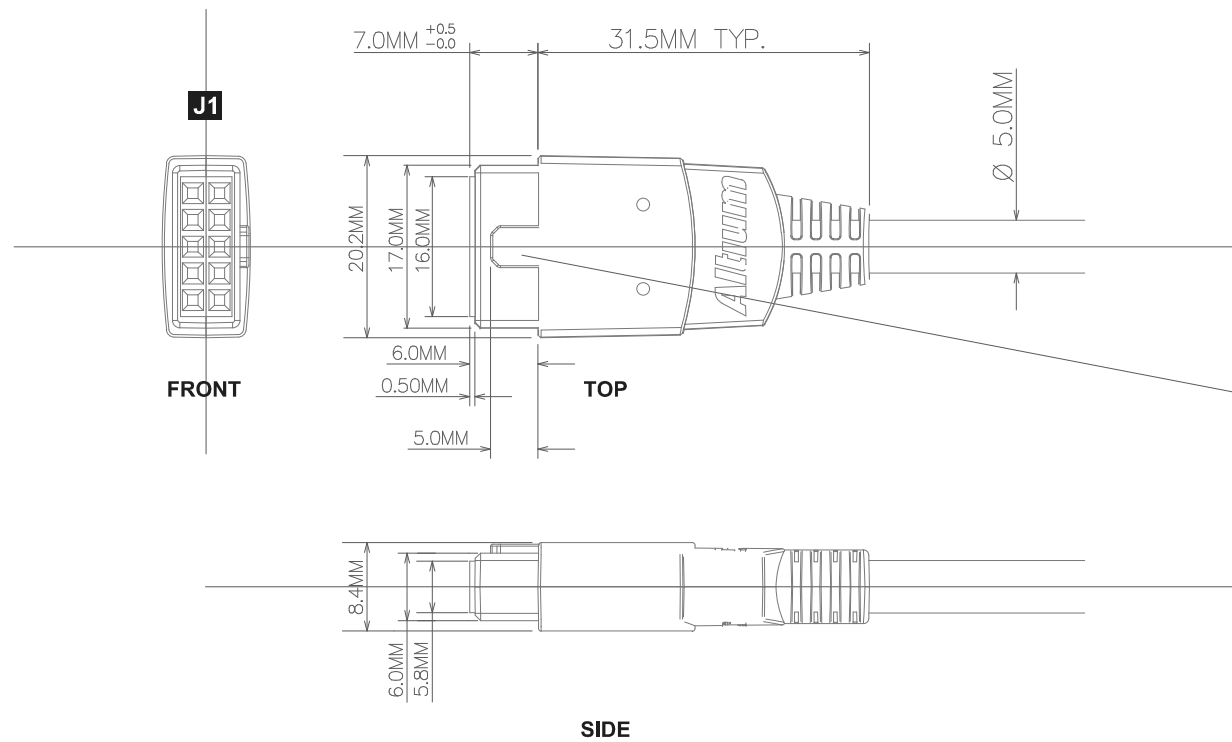
10 PIN 2.54MM PITCH FEMALE MACHINED OR FORMED PIN CONNECTOR AND OVER MOULDED BOOT WITH TAB

PRIMARY PART:

REF: D-300-0097 – FORMED PIN

SECONDARY PART:

REF: D-300-0099 – MACHINED PIN



NOTE:

POLARISING TAB
PART OF MOULDED BOOT

NOTE:

CABLE ASSY. MUST BE ASSEMBLED ACCORDING TO
IPC-A-620 CLASS 2

CABLE AND TERMINATION SPECIFICATION:

CABLE TYPE: SIGNAL MULTISTRAND
CABLE SIZE: 24AWG TO 28AWG
MATERIAL: POLYVINY CHLORIDE (PVC)
SAFETY: VW-1 COMPLIANT
COMPLIANCE: IPC-A-620 CLASS 2

TOLERANCES (UNLESS SPECIFIED):

DIAMETER:	<= 5.0MM:	+/- 0.10MM
	=> 5.0MM	+/- 0.20MM
ANGULAR:		+/- 0.25°
UNSPECIFIED DRAFT:		1.0°/SIDE
LENGTH:	0MM TO 25MM	+/- 0.10MM
	25MM TO 50MM	+/- 0.15MM
	50MM TO 100MM	+/- 0.20MM
	100MM AND OVER	+/- 0.25MM

CN	PIN NUMBER	FUNCTION	COLOUR
J1	1	HTDI	RED
J1	2	HTDO	BROWN
J1	3	HTCK	BLUE
J1	4	HTMS	PURPLE
J1	5	STDI	YELLOW
J1	6	STDO	GREEN
J1	7	STCK	WHITE
J1	8	STMS	GREY
J1	9	GND	BLACK
J1		GND	BLACK
J1		GND	BLACK
J1		GND	BLACK
J1	10	DETECT	ORANGE
J1	SHIELD	SHIELD	BRAD

DO NOT SCALE
DIMENSIONS IN MILLIMETRES



DESIGNER	ALTUM LIMITED	DATE		LEVEL 3 / 12A RODBOROUGH ROAD FRENCHS FOREST - SYDNEY 2086 NSW AUSTRALIA	SCALE:	SCALE: 0.70					
DRAWN	Steven. R. Howell	01.MAY.08			DATE:	9/14/2011					
CHECKED	Steven. R. Howell	01.MAY.08	INDEX								
REVISION	01	DESIGN CREATED -- CN01 REV1 -- 10 PIN FEMALE CONNECTOR AND OVER MOULDED POLARISED BOOT	S.HOWELL	01.MAY.08	GROUP/DA	HARDWARE DEVELOPMENT GROUP	Title:	CN01.01 -- CONNECTOR 01 REV 01	SHEET	1 OF 1	A2
TEMPLATE: -- Multilayer Composite Print		C:\Documents and Settings\Administrator\Desktop\printproject\CN01.01.PcbDoc									

1
PRODUCT FAMILY
AC SERIES CABLES

2
DRAWING ID/MODEL
CONNECTOR CN02

3 4 5 6 7 8
CN02 REV1 – 19 PIN STANDARD MINI HDMI CONNECTOR WITH OVER MOULDED BOOT AND MULTISTRAND CABLE



CONNECTOR

MOULDED BOOT

CABLE

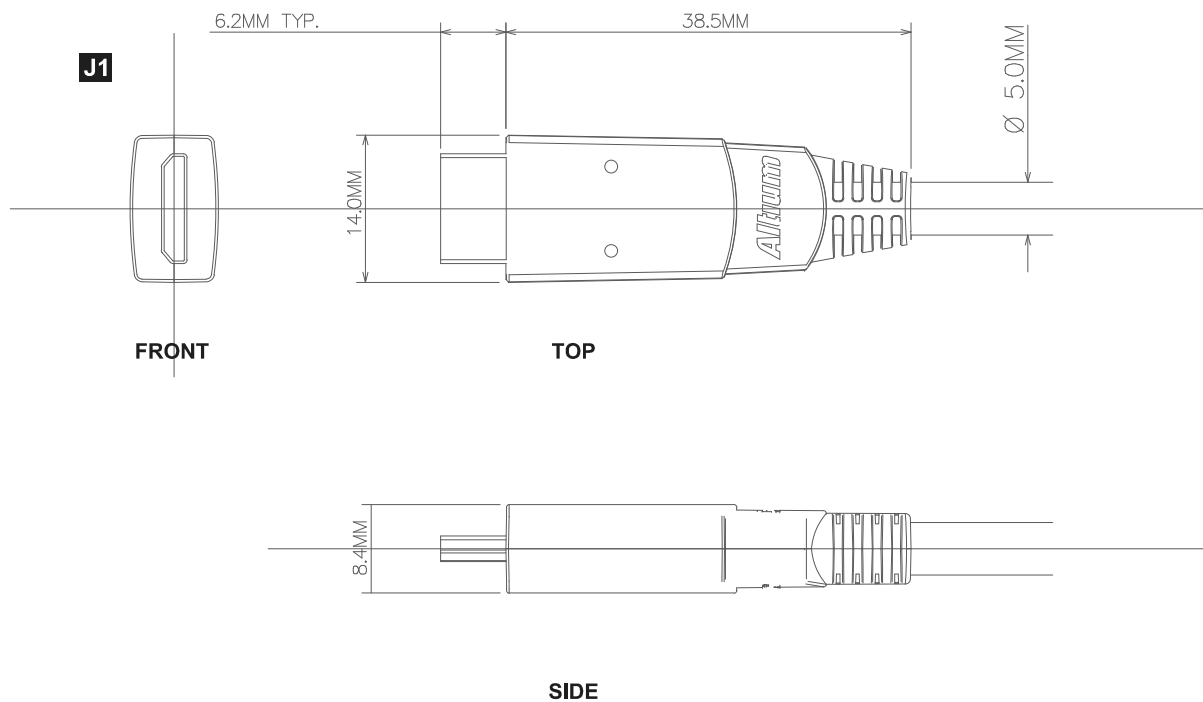
J1

CONNECTOR

19 PIN MINI HDMI

STANDARD MINI HDMI TYPE C PLUG
GOLD PLATED ROHS COMPLIANT
AND OVER MOULDED BOOT

PRIMARY PART:
REF: D-300-0093 – MINI HDMI



NOTE:

CABLE ASSY. MUST BE ASSEMBLED ACCORDING TO
IPC-A-620 CLASS 2

NOTE:

THIS ASSEMBLY MUST BE MECHANICALLY COMPLIANT WITH
HDMI SPEC 1.3 OR GREATER

CN	PIN NUMBER	FUNCTION	COLOUR
J1	9	HTDI	RED
J1	8	HTDO	BROWN
J1	6	HTCK	BLUE
J1	5	HTMS	PURPLE
J1	3	STDI	YELLOW
J1	2	STDO	GREEN
J1	12	STCK	WHITE
J1	11	STMS	GREY
J1	1	GND	BLACK
J1	4	GND	BLACK
J1	7	GND	BLACK
J1	10	GND	BLACK
J1	13	GND	BLACK
J1	SIELD	SIELD	BRAD

19 PIN MINI HDMI

CABLE AND TERMINATION SPECIFICATION:

CABLE TYPE: SIGNAL MULTISTRAND
CABLE SIZE: 24AWG TO 28AWG
MATERIAL: POLYVINY CHLORIDE (PVC)
SAFETY: VW-1 COMPLIANT
COMPLIANCE: IPC-A-620 CLASS 2

TOLERANCES (UNLESS SPECIFIED):

DIAMETER:	<= 5.0MM:	+/- 0.10MM
	=> 5.0MM	+/- 0.20MM
ANGULAR:		+/- 0.25°
UNSPECIFIED DRAFT:		1.0°/SIDE
LENGTH:	0MM TO 25MM	+/- 0.10MM
	25MM TO 50MM	+/- 0.15MM
	50MM TO 100MM	+/- 0.20MM
	100MM AND OVER	+/- 0.25MM

DO NOT SCALE
DIMENSIONS IN MILLIMETRES

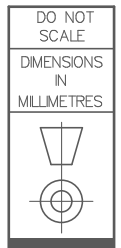


DESIGNER	ALTIUM LIMITED	DATE	01.MAY.08	LEVEL 3 / 12A RODBOROUGH ROAD FRENCHS FOREST – SYDNEY 2086 NSW AUSTRALIA	SCALE:	SCALE: 0.70
DRAWN	Steven. R. Howell	DATE	01.MAY.08		DATE:	9/14/2011
CHECKED	Steven. R. Howell	DATE	01.MAY.08		SHEET	1 of 1
REVISION	01 DESIGN CREATED – CN02 REV1 – 19 PIN STANDARD MINI HDMI CONNECTOR WITH OVER MOULDED BOOT	S.HOWELL	01.MAY.08	GROUP/DA	HARDWARE DEVELOPMENT GROUP	A2
TEMPLATE:	Multilayer Composite Print C:\Documents and Settings\Administrator\Desktop\printproject\CN02.01.PcbDoc					

1
PRODUCT FAMILY
AC SERIES CABLES

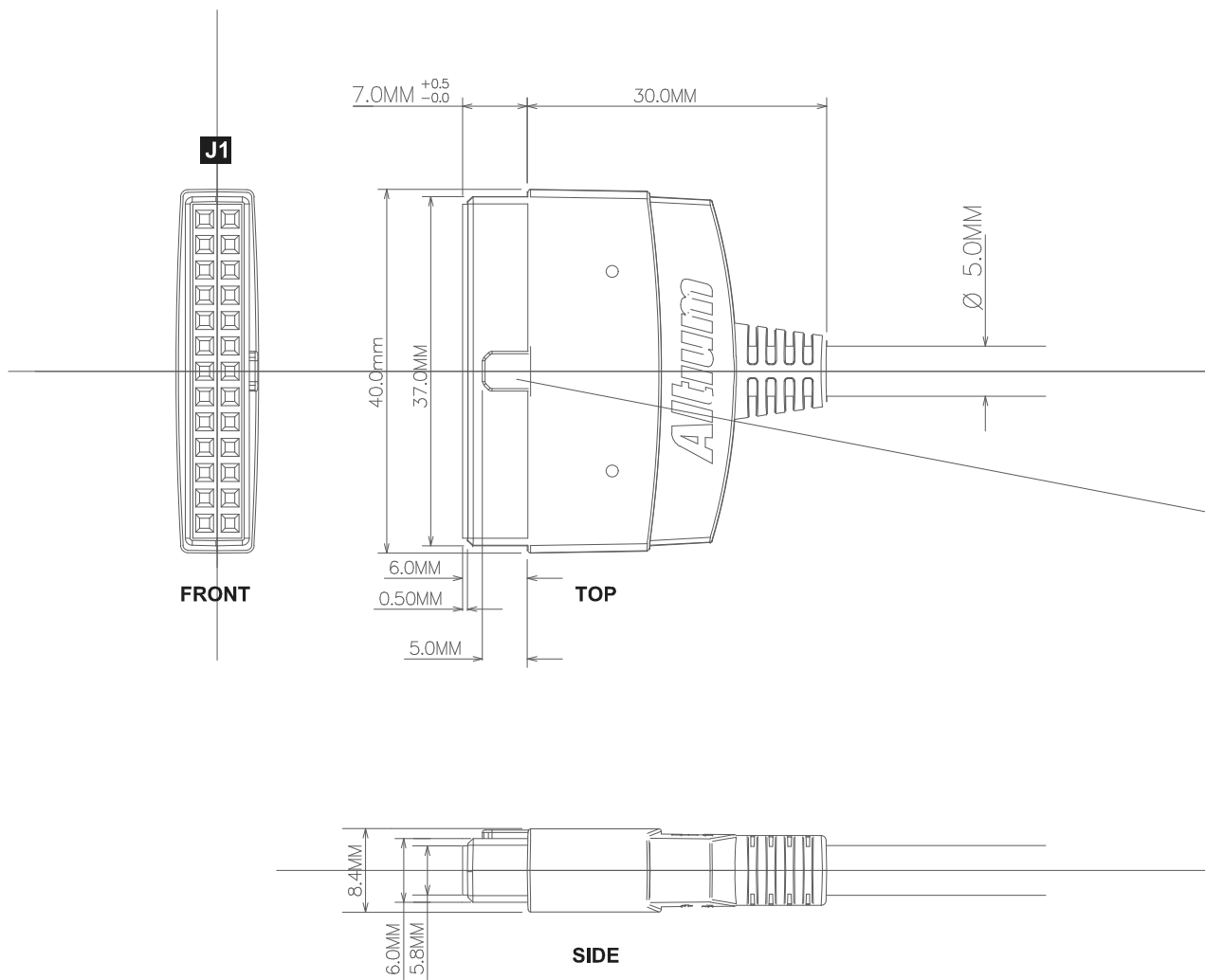
2
DRAWING ID/MODEL
CONNECTOR CN03

3 4 5 6 7 8
CN03 REV1 – 26 PIN FEMALE CONNECTOR WITH OVER MOULDED POLARISED BOOT AND MULTISTRAND CABLE



CONNECTOR MOULDED BOOT CABLE

J1
CONNECTOR - 2x13
MACHINED PIN OR FORMED PIN
26 PIN 2.54MM PITCH FEMALE MACHINED OR FORMED PIN CONNECTOR AND OVER MOULDED BOOT WITH TAB
PRIMARY PART:
REF: D-300-0098 – FORMED PIN
SECONDARY PART:
REF: D-300-0100 – MACHINED PIN



NOTE:
POLARISING TAB
PART OF MOULDED BOOT

NOTE:
CABLE ASSY. MUST BE ASSEMBLED ACCORDING TO
IPC-A-620 CLASS 2

CN	PIN NUMBER	FUNCTION	COLOUR
J1	2	HTDI	RED
J1	13	HTDO	BROWN
J1	3	HTCK	BLUE
J1	4	HTMS	PURPLE
J1	5	STDI	YELLOW
J1	25	GND	BLACK
J1	24	GND	BLACK
J1	23	GND	BLACK
J1	22	GND	BLACK
J1	21	GND	BLACK
J1	SHIELD	SHIELD	BRAD

26 PIN FEMALE

CABLE AND TERMINATION SPECIFICATION:
CABLE TYPE: SIGNAL MULTISTRAND
CABLE SIZE: 24AWG TO 28AWG
MATERIAL: POLYVINY CHLORIDE (PVC)
SAFETY: VW-1 COMPLIANT
COMPLIANCE: PC-A-620 CLASS 2

TOLERANCES (UNLESS SPECIFIED):

DIAMETER:	<= 5.0MM:	+/- 0.10MM
	=> 5.0MM	+/- 0.20MM
ANGULAR:		+/- 0.25°
UNSPECIFIED DRAFT:		1.0°/SIDE
LENGTH:	0MM TO 25MM	+/- 0.10MM
	25MM TO 50MM	+/- 0.15MM
	50MM TO 100MM	+/- 0.20MM
	100MM AND OVER	+/- 0.25MM




REVISION	DESCRIPTION OF TASK OR MODIFICATION	APPD	DATE	DESIGNER	ALTIUM LIMITED	DATE	INDEX	SCALE:
01	DESIGN CREATED – CN03 REV1 – 26 PIN FEMALE CONNECTOR AND OVER MOULDED POLARISED BOOT	S.HOWELL	01.MAY.08	STEVEN R. HOWELL	ALTIUM LIMITED	01.MAY.08	INDEX	SCALE: 0.70
TITLE: CN03.01 – CONNECTOR 03 REV 01 SHEET: 1 OF 1 A2								

1
PRODUCT FAMILY
AC SERIES CABLES

2
DRAWING ID/MODEL
CONNECTOR CN04

CN04 REV1 – 3 PIN MACHINE PIN FEMALE CONNECTOR WITH OVER MOULDED BOOT AND MULTISTRAND CABLE

DO NOT SCALE
DIMENSIONS IN MILLIMETRES



CONNECTOR MOULDED BOOT CABLE

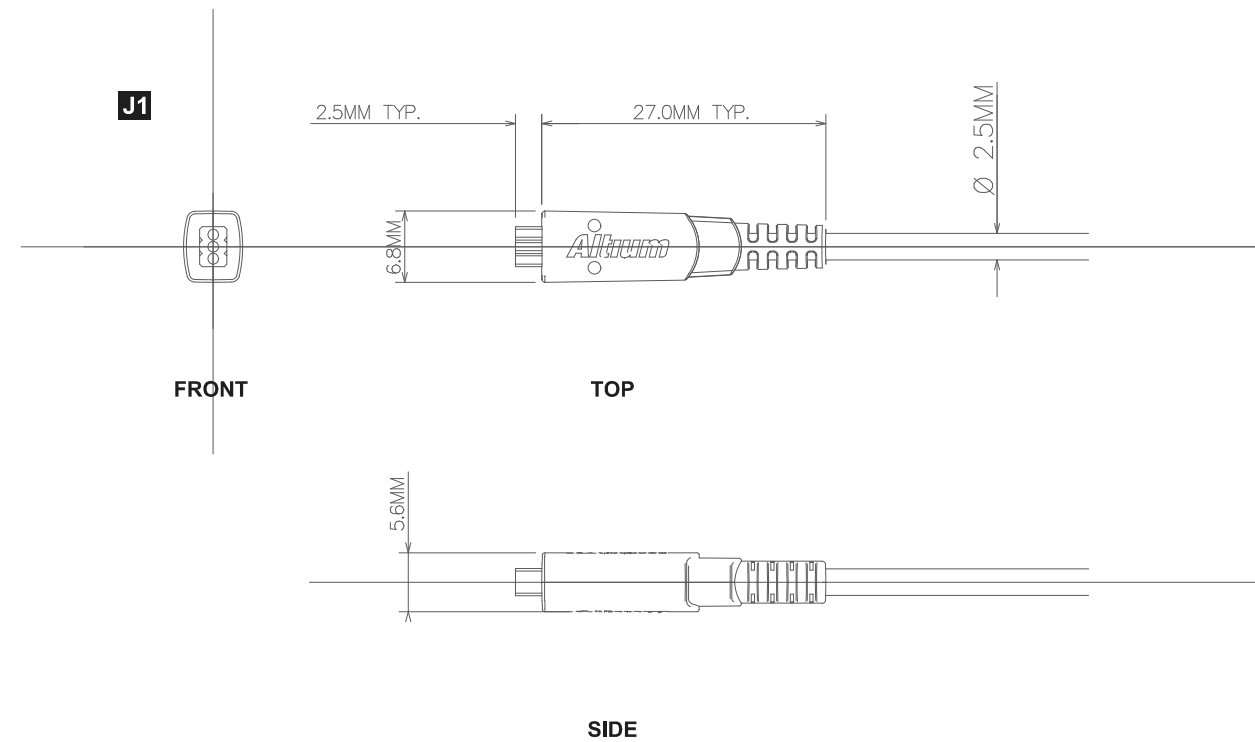
J1

CONNECTOR - 1x3
MACHINED PIN ONLY

3 PIN 1.27MM PITCH FEMALE MACHINED PINNED CONNECTOR AND OVER MOULDED BOOT

PRIMARY PART:
REF: D-300-0052 – MACHINED PIN

SECONDARY PART:
REF: M-300-0068 – MACHINED PIN



NOTE:
CABLE ASSY. MUST BE ASSEMBLED ACCORDING TO
IPC-A-620 CLASS 2

CN	PIN NUMBER	FUNCTION	COLOUR
J1	1	GND	BLACK
J1	2	DATA	WHITE
J1	3	GND	BLACK
J1	SHIELD	SHIELD	BRAD

3x MACHINE PIN

CABLE AND TERMINATION SPECIFICATION:


CABLE TYPE: SIGNAL MULTISTRAND
CABLE SIZE: 24AWG TO 28AWG
MATERIAL: POLYVINY CHLORIDE (PVC)
SAFETY: VW-1 COMPLIANT
COMPLIANCE: IPC-A-620 CLASS 2

TOLERANCES (UNLESS SPECIFIED):

DIAMETER:	<= 5.0MM:	+/- 0.10MM
	=> 5.0MM	+/- 0.20MM
ANGULAR:		+/-0.25°
UNSPECIFIED DRAFT:		1.0°/SIDE
LENGTH:	0MM TO 25MM	+/- 0.10MM
	25MM TO 50MM	+/- 0.15MM
	50MM TO 100MM	+/- 0.20MM
	100MM AND OVER	+/- 0.25MM

DO NOT SCALE
DIMENSIONS IN MILLIMETRES



DESIGNER	ALTUM LIMITED	DATE		 LEVEL 3 / 12A RODBOROUGH ROAD FRENCHS FOREST – SYDNEY 2086 NSW AUSTRALIA	SCALE:	SCALE: 0.70					
DRAWN	Steven. R. Howell	01.MAY.08			DATE:	9/14/2011					
CHECKED	Steven. R. Howell	01.MAY.08	INDEX								
REVISION	01	DESIGN CREATED – CN04 REV1 – 3 PIN MACHINE PIN FEMALE CONNECTOR WITH OVER MOULDED BOOT	S.HOWELL	01.MAY.08	GROUP/DA	HARDWARE DEVELOPMENT GROUP	Title:	CN04.01 – CONNECTOR 04 REV 01	SHEET	1 of 1	A2
TEMPLATE: – Multilayer Composite Print		C:\Documents and Settings\Administrator\Desktop\printproject\CN04.01.PcbDoc									

1
PRODUCT FAMILY
AC SERIES CABLES

2
DRAWING ID/MODEL
CONNECTOR CN05

3 4 5 6 7 8
CN05 REV1 – 3 PIN 2.5MM MALE STEREO PLUG CONNECTOR WITH OVER MOULDED BOOT



CONNECTOR

MOULDED BOOT

CABLE

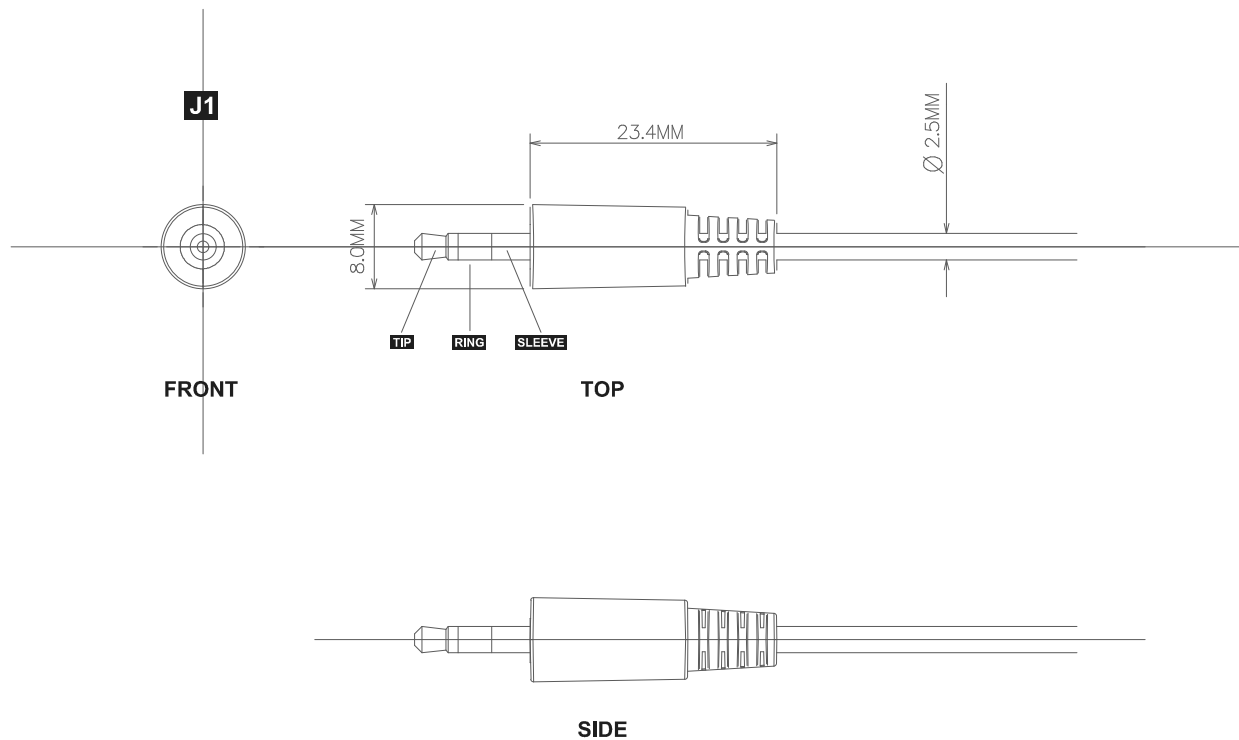
J1

CONNECTOR

2.5MM STEREO PLUG

3 PIN 2.5MM DIAMETER MALE STEREO PLUG AND OVER MOULDED BOOT

PRIMARY PART:
REF: D-300-0094



NOTE:

CABLE ASSY. MUST BE ASSEMBLED ACCORDING TO
IPC-A-620 CLASS 2

CN	PIN NUMBER	FUNCTION	COLOUR
J1	SLEEVE	GND	BLACK
J1	RING	DATA	WHITE
J1	TIP	NC	
J1	SHIELD	SHIELD	BRAD

2.5MM STEREO PLUG

CABLE AND TERMINATION SPECIFICATION:

CABLE TYPE: SIGNAL MULTISTRAND
CABLE SIZE: 24AWG TO 28AWG
MATERIAL: POLYVINY CHLORIDE (PVC)
SAFETY: VW-1 COMPLIANT
COMPLIANCE: IPC-A-620 CLASS 2

TOLERANCES (UNLESS SPECIFIED):

DIAMETER:	<= 5.0MM:	+/- 0.10MM
	=> 5.0MM	+/- 0.20MM
ANGULAR:		+/-0.25°
UNSPECIFIED DRAFT:		1.0°/SIDE
LENGTH:	0MM TO 25MM	+/- 0.10MM
	25MM TO 50MM	+/- 0.15MM
	50MM TO 100MM	+/- 0.20MM
	100MM AND OVER	+/- 0.25MM

DO NOT SCALE
DIMENSIONS IN MILLIMETRES



DESIGNER	ALTUM LIMITED	DATE	01.MAY.08	LEVEL 3 / 12A RODBOROUGH ROAD FRENCHS FOREST - SYDNEY 2086 NSW AUSTRALIA	SCALE:	SCALE: 0.70	
DRAWN	Steven. R. Howell	DATE	01.MAY.08		DATE:	9/14/2011	
CHECKED	Steven. R. Howell	DATE	01.MAY.08		TITLE:	CN05.01 – CONNECTOR 05 REV 01	
REVISION	01 DESIGN CREATED – CN05 REV1 – 3 PIN 2.5MM STEREO CONNECTOR WITH OVER MOULDED BOOT	S.HOWELL	01.MAY.08	GROUP/DA	HARDWARE DEVELOPMENT GROUP	SHEET	1 of 1
TEMPLATE:	Multilayer Composite Print C:\Documents and Settings\Administrator\Desktop\printproject\CN05.01.PcbDoc						A2

1
PRODUCT FAMILY
AC SERIES CABLES

2
DRAWING ID/MODEL
CONNECTOR CN06

3 4 5 6 7 8
CN06 REV1 – 10 INDIVIDUAL 22AWG COLOURED FLYING FEMALE LEAD CABLES TO MOULDED BREAKOUT BOOT



CONNECTOR

MOULDED BOOT

CABLE

CONNECTOR - 10 x1

FLYING LEADS SINGLE PIN FEMALE

J1 10x FLYING LEAD 22AWG WITH INDIVIDUALLY TERMINATED COLOURED WIRE AND OVER MOULDED BOOT BREAKOUT

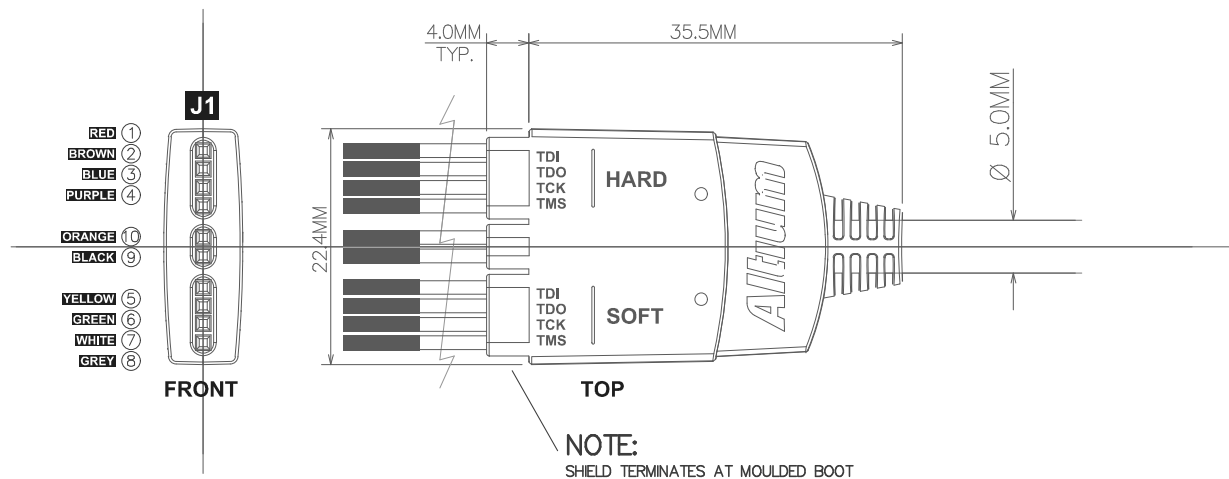
PRIMARY PART:

HOUSING:

P/N: D-300-0096 – PLASTIC

SOCKET/PIN:

P/N: D-300-0095 – FORMED PIN

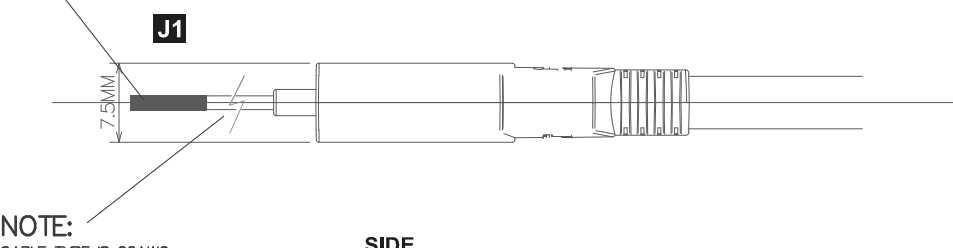


NOTE:
CONNECTOR ASSY. CONSISTS OF TWO PARTS.

NOTE:

CABLE ASSY. MUST BE ASSEMBLED ACCORDING TO
IPC-A-620 CLASS 2

NOTE:
CABLE TYPE IS 22AWG



CABLE AND TERMINATION SPECIFICATION:

CABLE TYPE: SIGNAL MULTISTRAND
CABLE SIZE – INTERNAL: 24AWG TO 28AWG
CABLE SIZE – EXTERNAL: 22AWG
MATERIAL: POLYVINY CHLORIDE (PVC)
SAFETY: VW-1 COMPLIANT
COMPLIANCE: IPC-A-620 CLASS 2

TOLERANCES (UNLESS SPECIFIED):

DIAMETER:	<= 5.0MM:	+/- 0.10MM
	=> 5.0MM	+/- 0.20MM
ANGULAR:		+/-0.25°
UNSPECIFIED DRAFT:		1.0°/SIDE
LENGTH:	0MM TO 25MM	+/- 0.10MM
	25MM TO 50MM	+/- 0.15MM
	50MM TO 100MM	+/- 0.20MM
	100MM AND OVER	+/- 0.25MM

CN	PIN NUMBER	FUNCTION	COLOUR
J1	1	HTDI	RED
J1	2	HTDO	BROWN
J1	3	HTCK	BLUE
J1	4	HTMS	PURPLE
J1	5	STDI	YELLOW
J1	6	STDO	GREEN
J1	7	STCK	WHITE
J1	8	STMS	GREY
J1	9	GND	BLACK
J1	10	DETECT	ORANGE
J1	SHIELD	SHIELD	BRAD

10 PIN FLYING LEADS



DESIGNER	ALTUM LIMITED	DATE		LEVEL 3 / 12A RODBOROUGH ROAD FRENCHS FOREST – SYDNEY 2086 NSW AUSTRALIA	SCALE:	SCALE: 0.70	
DRAWN	Steven. R. Howell	01.MAY.08			DATE:	9/14/2011	
CHECKED	Steven. R. Howell	01.MAY.08	INDEX				
REVISION	01 DESIGN CREATED – CN06 REV1 – 10 INDIVIDUAL FLYING LEAD CABLES TO MOULDED BREAKOUT BOOT	S.HOWELL	01.MAY.08	GROUP/DA	HARDWARE DEVELOPMENT GROUP	TITLE:	CN06.01 – CONNECTOR 06 REV 01
TEMPLATE:	– Multilayer Composite Print		C:\Documents and Settings\Administrator\Desktop\printproject\CN06.01.PcbDoc			SHEET	1 OF 1 A2